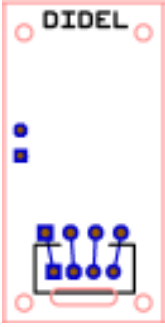
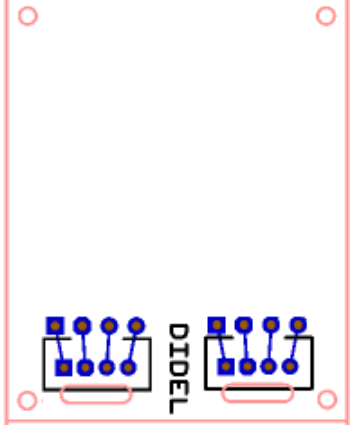


## Distributors Didel News

### Août 2014 - Digrove = Grove on steroids

<p>Two module size</p> <p>16 x 32 holes 12x28</p> <p>32 x 40 holes 28x36</p> <p>2mm holes at 2mm from corners</p> <p>Square pads are Gnd pads +5V are frequently octogonal</p>		
------------------------------------------------------------------------------------------------------------------------------------------------------------------------------------	-----------------------------------------------------------------------------------	-------------------------------------------------------------------------------------

We add 2.54mm connectors and have kits to leave the user to solder the connector he needs on the side he prefers.

The Digrove family will add original modules. The idea is not to compete, but add useful functionalities and help debugging of complex applications.

