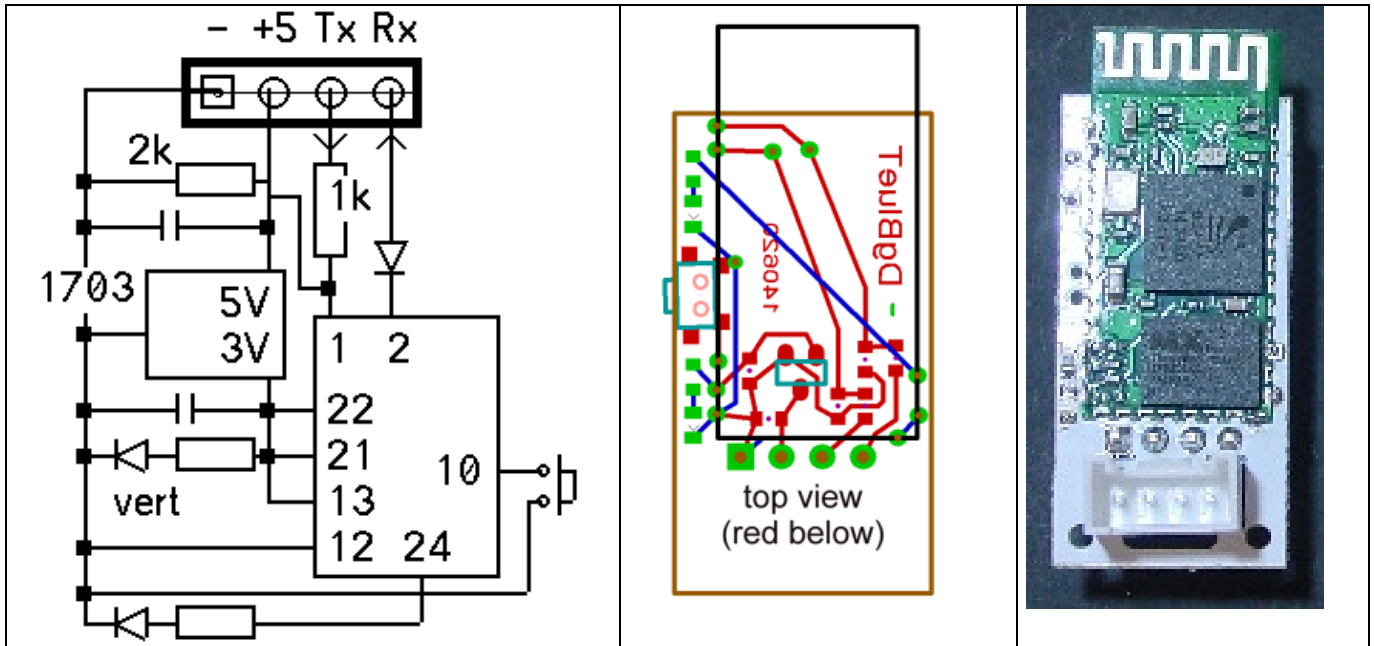


DgBluetooth – HC1804



We tested the module on the drawbot <https://www.vogeli.ch/drawbluebotv3/>
It may be convenient also for you since it has the 3.3V circuit and serial interface toward an Arduino/Diduino board. Leds help to check the connection.

