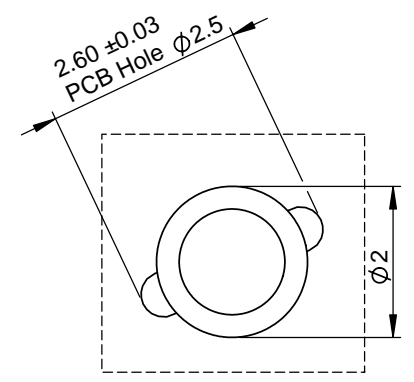
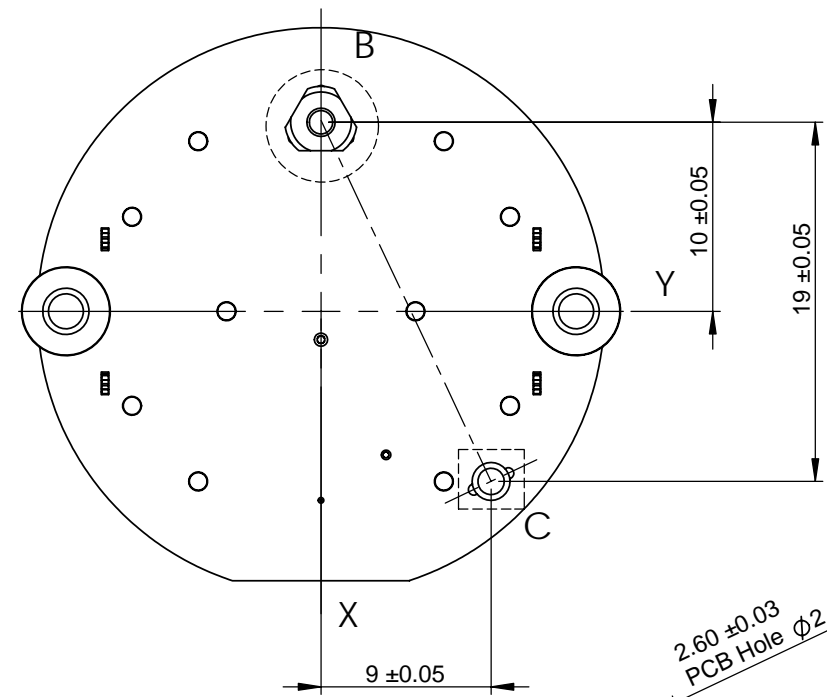
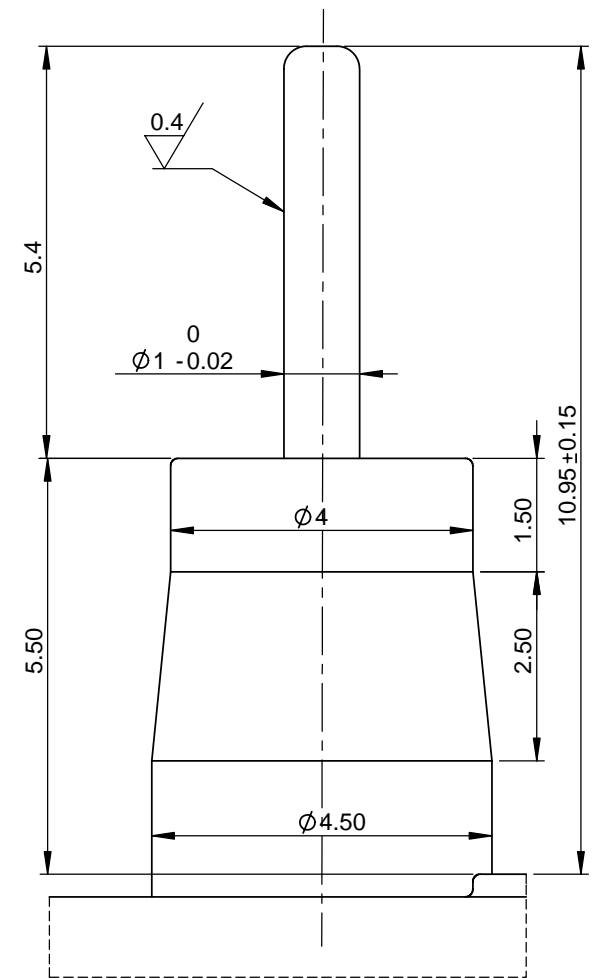


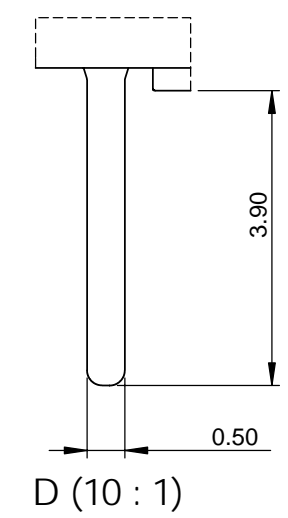
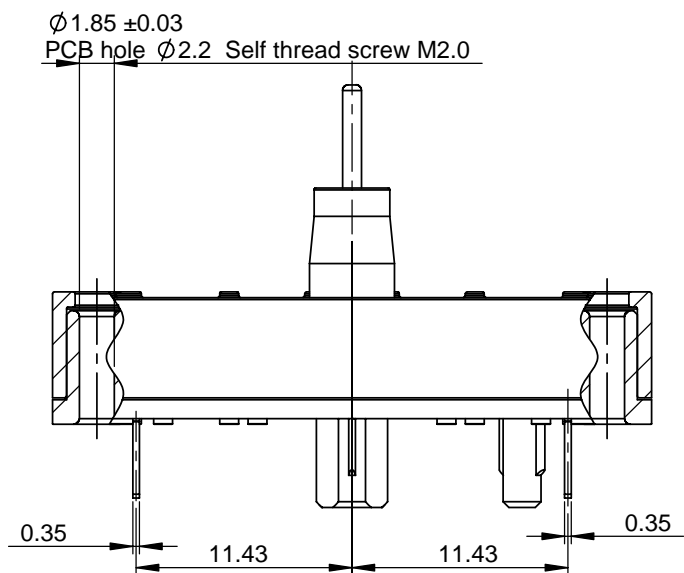
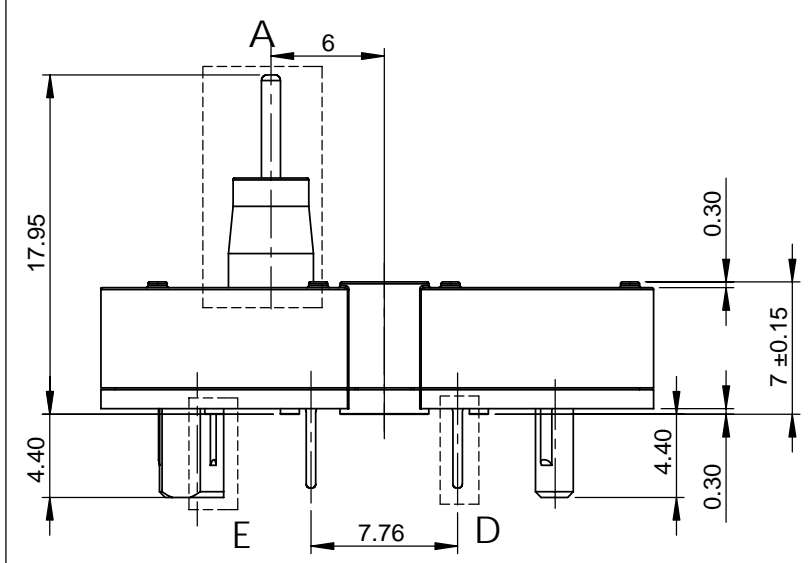
B (10 : 1)



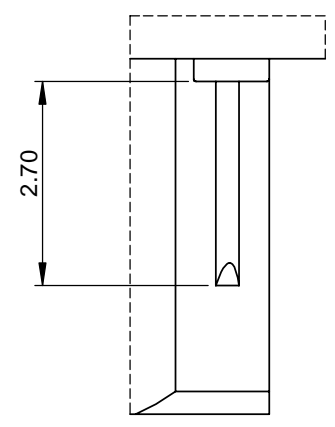
C (10 : 1)



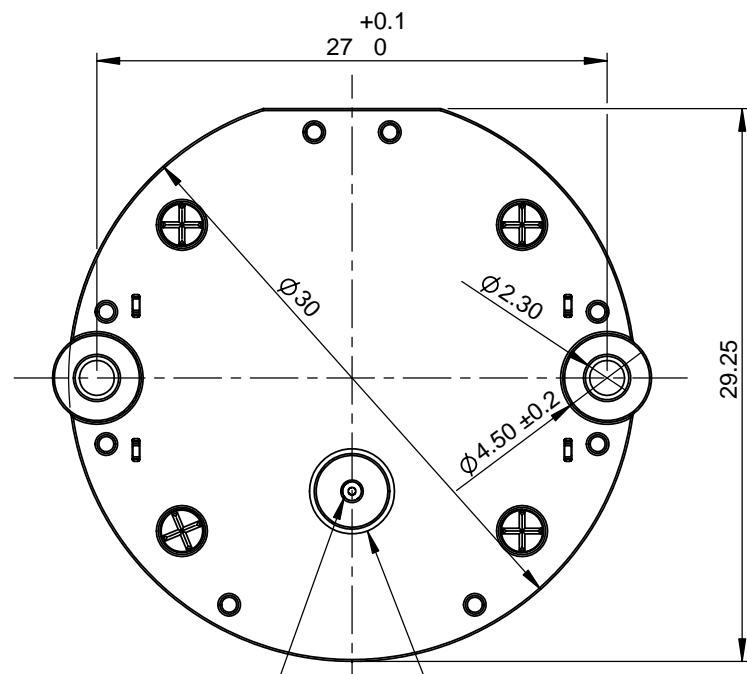
A (10 : 1)



D (10 : 1)



E (10 : 1)



SPECIFICATIONS :

Housing:

- Material:PC Crastin
- Colour:Black
- Hold force clips:max. 85N

Shaft:

- Material: Stainless Steel
- Axialforce(stake-on):max. 150N
- Axial pull force:max. 100N
- Radial force:max. 20N
- Rotation Angle: Max 315°

El. contacts:

- Material:CuSn3Zn
- Plating:Sn-Pb 90/10 1~2μm
- Coil :el.resistance 280 ± 20Ω

Product Name: Vehicles Instrumentation Device	
Description:	
Product No.	Created 10.10.05
VID29_03 / VID29_03P	Check 10.15.05
	Release 10.18.05

	Dimension in mm
sheet	1/1
size	A3
scale	1:0.4

WellGain