

Starlet

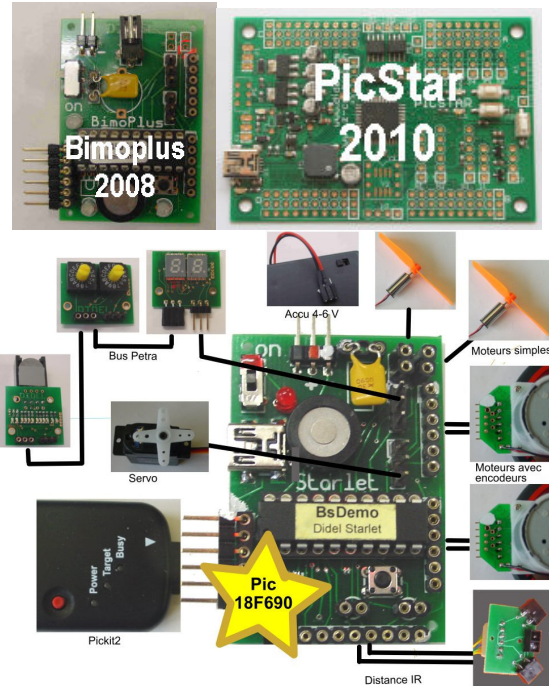
A Pic board for small and medium applications

Small brother of the famous PicStar from Z-control

Starlet is compatible with **BimoPlus**, a successful board used in many applications since 2008, e.g for controlling a toy car with traction, direction and lights or a 2 wheels robot, having motors with encoders for a precise displacement.

The **PicStar** <http://www.z-control.ch/> was strongly inspired by the BimoPlus, with compatible connectors for motors (Solarbotics Romot with encoders) and servos. Of course the 44-pin 18F4550 of the PicStar added a lot of fonctionnalités.

The **Starlet**, with a 18F13K50 microcontroller is software compatible with the PicStar and is a perfect match for simpler applications. Motors and sensors are connected on the Programs can be down-loaded from USB, no need for a Pickit2. Starlet with a 16F690 is supported by an extensive set of routines in CALM assembly language. As shown on the picture, connectors are dedicated to I/O and a mobile robot is just fun to be built.



Documentation (in French) www.didel.com/starlet/Starlet.pdf

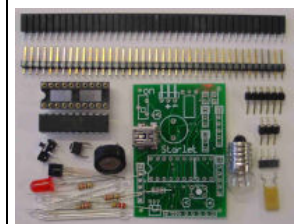
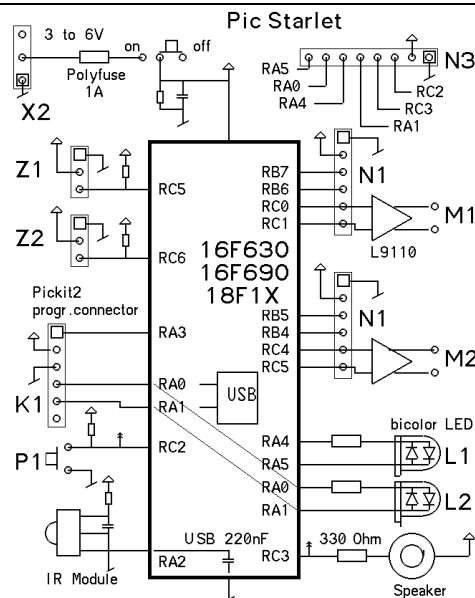
For the 16F690 Starlet and its typical application of controlling a robot, a very complete modular software is documented (in French).

The board can support 4 Pic micro-controllers, having a compatible pinout.

- 16F630 14 pins used in the Bimo.
- 16F676 14pins also, and 6 analog inputs.
- 16F690 20 pins which can use all facilities of the printed board.
- 18F1X50 which permits direct programming via USB port (instead of the Pickit2), at cost of three input-outputs.

Starlet comes as a kit, with easy to solder sockets and connectors. 18 SMD components are already soldered on the other side.

The microcontroller can be programmed in any Pic programming environment.



Starlet kit: **CHF 60.-** (with 16F690 microcontroller) Supplement for 18F13X50 **12.- CHF**

Documentation (in French): www.didel.com/starlet/