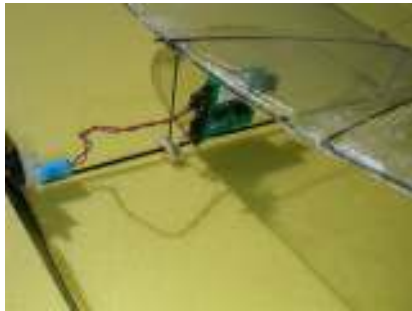


Infrared receiver modules

DIDEL sells three IR receivers modules, with several software options. The objective is to play at home with the IR transmitter you bought with another flying device, and use your imagination and interest to control all kind of devices, from 3-gram slow flying planes to lego constructions or light shows.



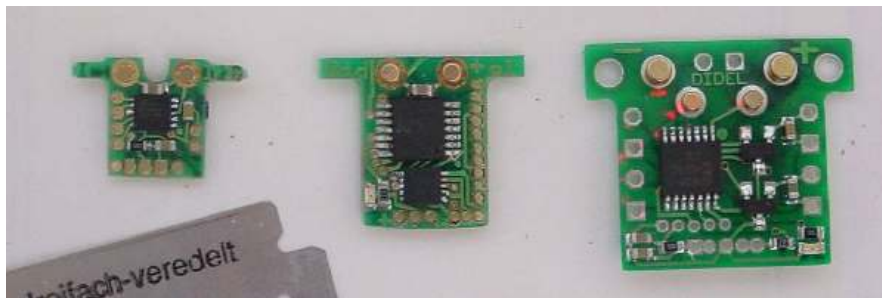
A plane and a hovercraft using the lbz3 and lbz3w



3 gram submarine, controlled by the lz2

Unhappily, IR transmitters are all incompatible. Didel supports only the PicooZ transmitter (but not it's clone which are not IR compatible), the Flit/microCeline transmitter, and the Didel Radir, Servir or Tanaka adapters to a radio transmitter trainee's plug.

Hardware



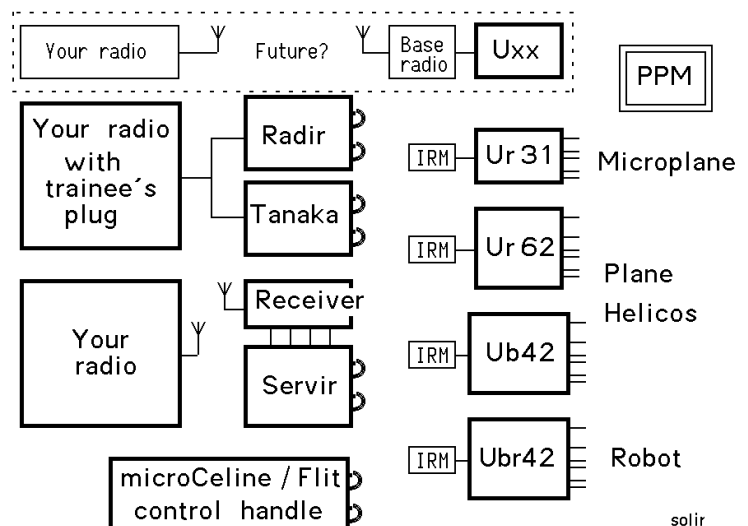
Ir3 Ultra-light 3 channels.
 1-5 grams microplanes and simple helicos.

Ir6 Ultralight for up to 6 channels.
 Twin motors plane, helicos, blimps, microrobots, hydroplanes

Ib4 Easy to use, 4 channels.
 Blimps, robots, trains, automaton.

As pictured, there is a choice of transmitters and receivers.

- <http://www.didel.com/lr/Radir.pdf>
- <http://www.didel.com/lr/Servir.pdf>
- <http://www.didel.com/mC/Gun.doc>
- <http://www.didel.com/lr/UrSoft.pdf>
- <http://www.cityfujisawa.ne.jp/~toko/>
- <http://www.didel.com/lr/Ur31.pdf>
- <http://www.didel.com/lr/Ur62.pdf>
- <http://www.didel.com/lr/Ubr42.pdf>
- <http://www.didel.com/lr/Ubr42.pdf>



See

<http://www.didel.com/Ir/lz2.pdf>

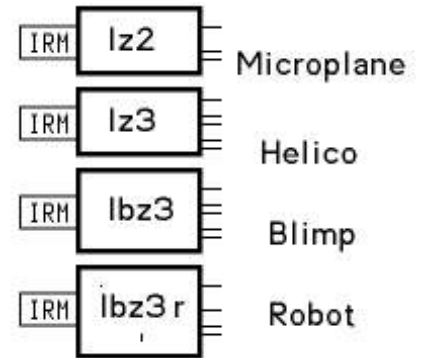
<http://www.didel.com/Ir/lz3.pdf>

<http://www.didel.com/Ir/lbz3.pdf>

<http://www.didel.com/Ir/lbz3r.pdf>



Silverlit IR format
(clones not compatible)



The PicooZ is limited to 2 channels (3 with some restrictions), but three transmitters and three Didel modules can be used to invent your super gadget.

Hardware modules have outputs for unidirectional motors (e.g. for a propeller) and bidirectional outputs for magnetic actuators or low power motors.

Software options allows for major applications like 2-wheel robot, etc. lb4 module can be reprogrammed by any Microchip fan.

See www.didel.com/Ir/IrControl.pdf