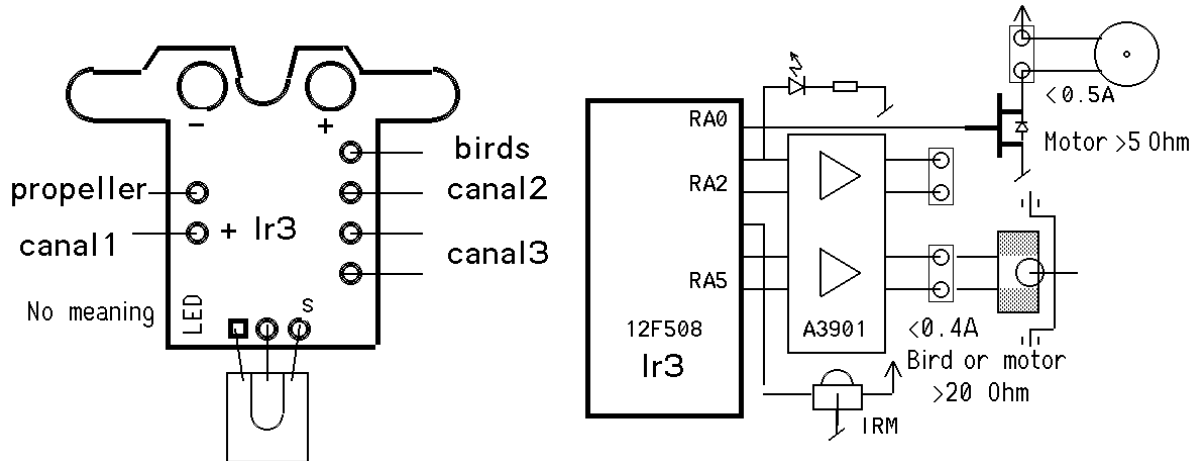


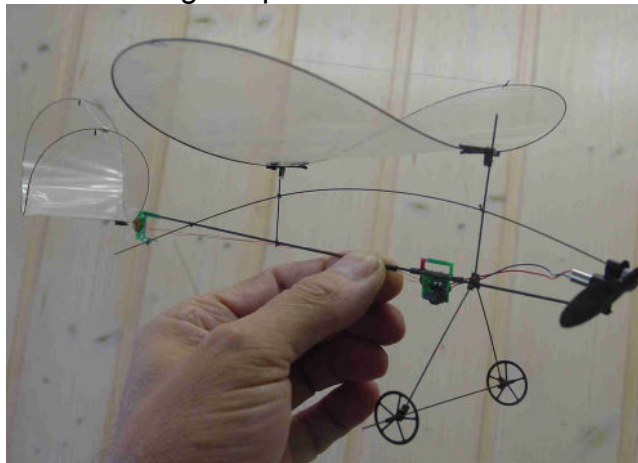
Ir3 three-channels IR receiver

The Ir3 receiver is a three-channel receiver for a plane with one propeller and two BIRD actuators.

The standard version has Bahoma 5mm magnets. Its weight is 0.35g.



IR2 has been designed for 5-10 gram planes.



The Ir3 uses a 16F630 microcontroller that can be reprogrammed for different applications with 3 motors or. A Pickit2 and the Didel programming adapter is required. Source code of our programs is available.