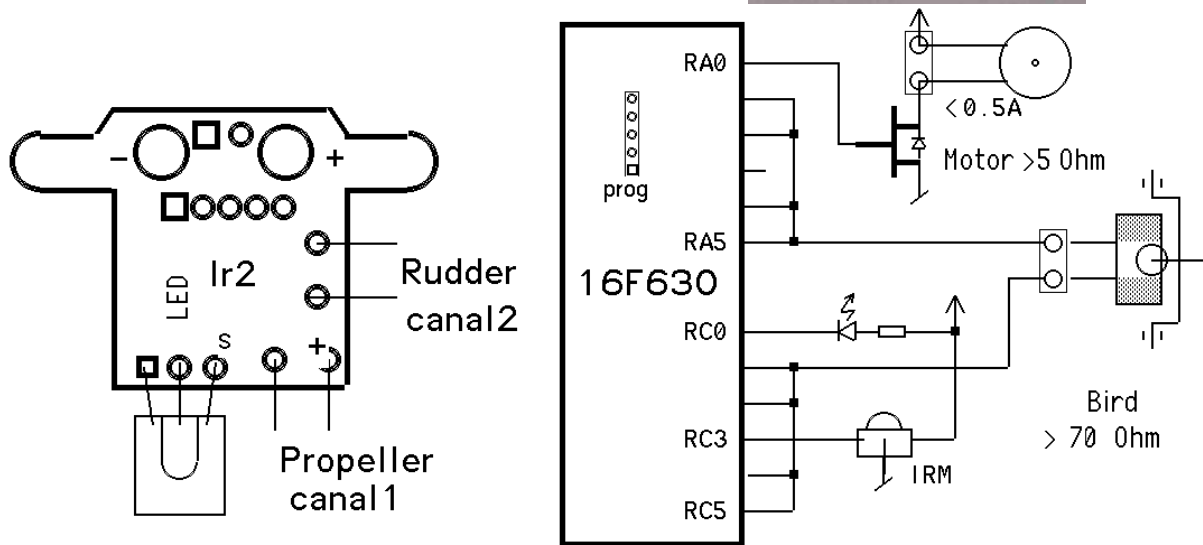
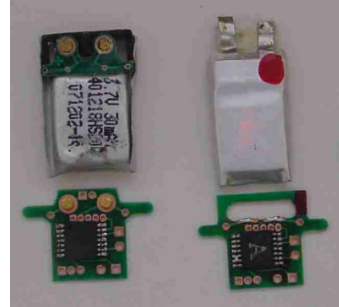


Ir2 two-channels IR receiver

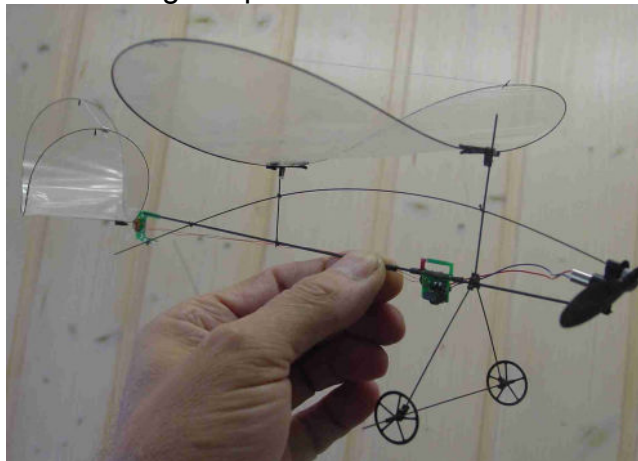
The Ir2 receiver is a two-channel receiver for a plane with one propeller and one BIRD actuator.

The standard version has Bahoma 5mm magnets. Its weight is 0.31g.

An experimental version needs specially prepared Lipos.



IR2 has been designed for 3-4 gram planes.



The Ir2 uses a 16F630 microcontroller that can be reprogrammed for different applications with 3 outputs : 1 transistor output, max 0.5A, 2 logic level outputs, max 20mA with a voltage drop lower than 0.5V. A Pikit2 and the Didel programming adapter is required. Source code of our programs is available.

Using the same schematic, a dedicated circuit has been made for a miniature airboat. That circuit is of course too heavy to fly, the propeller has only 0.2g thrust!

