

BICHA - Dual Lipo charger 2007 model

BICHA is a convenient charger that allows to fly almost continuously a less than 20 gram plane having up to 140 mAh Lipoly batteries using the Bahoma system. It charges two batteries of different capacities from a set of four AA batteries.

The charger uses the LTC4054L charger circuits (charges at 1C up to 4.2V, maintain charge at 0.1C). Convenient switches specify the charge current, every 10mA between 10 and 150 mAh.

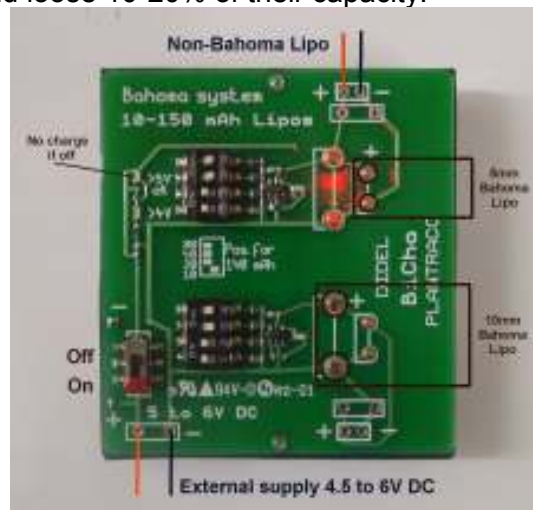


-0	-0	-0	-0	-0	0-	0-	0-			
-0	-0	-0	0-	0-	-0	0-	0-			
-0	0-	0-	-0	-0	-0	-0	0-			
0-	0-	0-	-0	0-	-0	-0	0-			
10mA	20mA	30mA	40mA	50mA	80mA	120mA	150mA

If a higher current is used, charging time will be reduced and capacity too. Good Lipos accept to be charged in 15 minutes (4 time the current) and loose 10-20% of their capacity.

The LED next to the battery blinks when there is no Lipo connected, is on when a Lipo charges, off (or almost off) when charged or if no current is selected. If the Lipo stay on the charger when charged, there is a little current to maintain the charge. If the charger is off, the discharge current is very low, but it is of course not recommended to leave the batteries on the Bicha.

Note that these LTC circuits decide more easily to continue the charge when powered on with the Lipo in place. If the 4 AAA cells do not provide more than 4.5V the charge will never end-up. For this reason, two Leds shows the main battery status: a weak or dark upper LED indicates insufficient voltage for charging Lipos.



All ports have the 5mm and 10mm Bahoma connector with strong magnets (compatible with Plantraco and Didel Lipos), plus 2-pin connectors for a cable toward your own plugs.

Didel and distributors provides Bapi (10mm) and Bami (5mm) PCB to use Bahoma on your plane and own Lipos. Bada 5/10mm adapters are also available from Didel's distributors.



Power is provided by a built-in battery holder for 4-AA batteries allowing tens of recharges (2000 mAh divided by the Lipo capacity) with good AAA batteries).

BiCh2 is a lower cost redesign of the 2006 BiCh, which included a voltage regulator so the power supply was also be a walmart transformer. Ask if still available if you are interested.



Price for Bicha2 **38 CHF ca 25€ or 30\$** (batteries not included)